

Hand Tools

Steel/Manual tensioners

Push type—for round or irregular bundles

The push-type tensioner also has a serrated feedwheel to engage the strap, but is designed for use on round or irregular-shaped packages. There is no limit to the amount of slack it can pull out of the strap. Fast and easy to use, it requires the use of painted and waxed strapping.



Rack-and-pinion type—for heavy, round or irregular bundles

The rack-and-pinion tensioner uses a serrated gripping dog to hold the pulled strap end. It can be used with either dry or lubricated strapping on round or irregular-shaped packages. The tensioner has limited take-up.



Windlass type for heavy-duty applications

The windlass tensioner simply winds one end of the strapping around a slotted windlass shaft. Primarily used with dry heavier strapping, for heavy-duty applications (e.g., carloading). It requires that strapping be pre-cut to desired lengths.



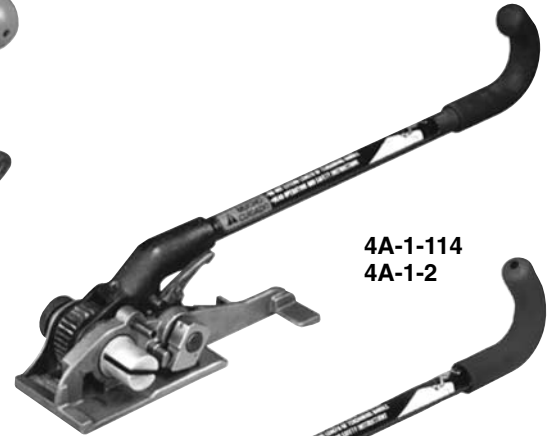
PF
Unlimited strap take-up.
Medium tension



PFH
Unlimited strap take-up.
High tension



PH-2
5-3/8" (137mm) strap take-up



4A-1-114
4A-1-2



4A-1-114KR
For carloading paper rolls

Manual tensioner specifications

| Tensioner Model | Part Number | Description | Mechanical Advantage* | Strap Size | | | | Strap Type | Strap Finish | Weight | |
|-----------------|-------------|----------------------------|-----------------------|------------|-----------|-------------|-----------|-------------------|--------------------------|--------|-----|
| | | | | Width | | Thickness | | | | lb | kg |
| | | | | inch | mm | inch | mm | | | | |
| PF | 017900 | Push Type Manual Tensioner | 18 | 3/8-3/4 | 9.5-19.0 | 0.017-0.023 | 0.43-0.58 | Apex Plus, Magnus | Painted & Waxed | 4 | 1.8 |
| PFH | 017930 | | 23 | 3/4-1-1/4 | 19.0-31.8 | 0.025-0.035 | 0.64-0.89 | Apex Plus, Magnus | Painted & Waxed | 7 | 3.2 |
| 4A-1-114 | 184125 | Windlass Type | 28 | 1-1/4 | 31.8 | 0.031-0.050 | 0.79-1.27 | Magnus | Painted, Painted & Waxed | 12 | 5.4 |
| 4A-1-114KR | 184135 | | | | | | | | | | |
| 4A-1-2 | 184140 | Windlass Type | 33 | 2 | 50.8 | 0.044-0.050 | 1.12-1.27 | Magnus | Painted, | 16 | 7.3 |
| PH-2 | 010065 | Rack & Pinion Type | 22 | 3/4-1-1/4 | 19.0-31.8 | 0.017-0.035 | 0.43-0.89 | Apex Plus, Magnus | Painted & Waxed | 7 | 3.2 |

*Mechanical advantage indicates approximately how many times the force applied to handle is multiplied to provide tensioning.