

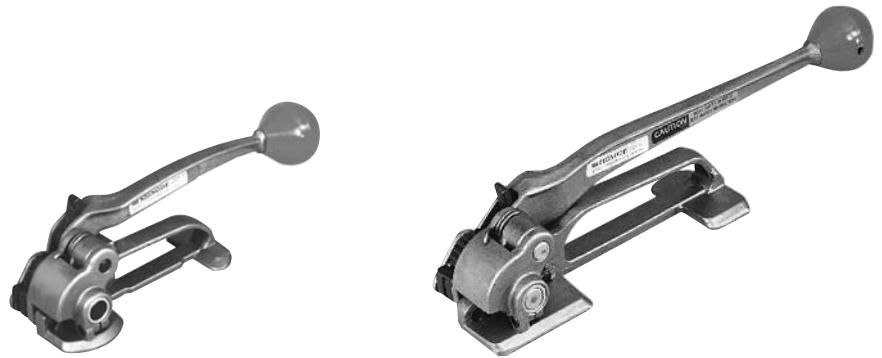
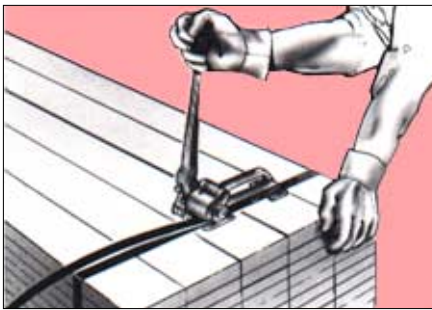
## Manual tensioners, feedwheel type/Steel

### Manual tensioners

Signode® hand tensioners allow operators to bring strap to desired tension with minimal interruption and strap waste. There are four basic types of tensioners for steel strapping: the feed-wheel type, the push type, the windlass type and the rack-and-pinion type. Each tensioner type fulfills specific packaging needs.

### Feedwheel type—for general use

Fast and easy to use, the feedwheel tensioner has a serrated feedwheel that firmly engages the strapping. There is no limit to the amount of slack it can pull out of the strap. It requires the use of painted and waxed strapping and is designed for use on flat surfaces.



**ST**  
Multi-purpose. Low tension

**T**  
General use. Medium tension



**TH-34-114**  
General use. High tension

### Manual tensioner specifications

Tensioner Model	Part Number	Description	Mechanical Advantage*	Strap Size				Strap Type	Strap Finish	Weight	
				Width		Thickness				lb	kg
				inch	mm	inch	mm				
ST	003480	Feedwheel Type	12	3/8-3/4	9.5-19.0	0.017-0.023	0.43-0.58	Apex Plus, Magnus	Painted & Waxed	4	1.8
T	003450	Manual	18	5/8-3/4	15.9-19.0	0.017-0.025	0.43-0.64	Apex Plus, Magnus	Painted & Waxed	5	2.3
TH-34 114	020500	Tensioner	25	3/4-1-1/4	19.0-31.8	0.017-0.035	0.43-0.89	Apex Plus, Magnus	Painted & Waxed	7	3.2

\*Mechanical advantage indicates approximately how many times the force applied to handle is multiplied to provide tensioning.