

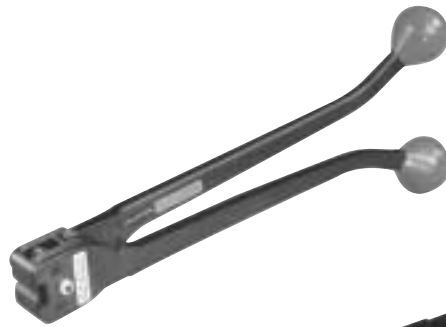
## Plastic/Manual sealers & combination seal-feed

3610 W. Lake Ave. • Glenview, IL 60025  
1-800-323-2464

### Manual sealers

#### Front-action type

Front-action sealer handles are held perpendicular to the strapping, usually in front of the operator who pushes handles together to crimp the seal.



**D-504**  
**D-506**  
General purpose.



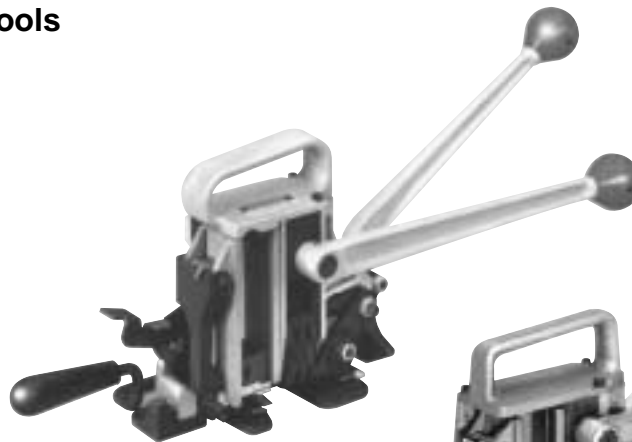
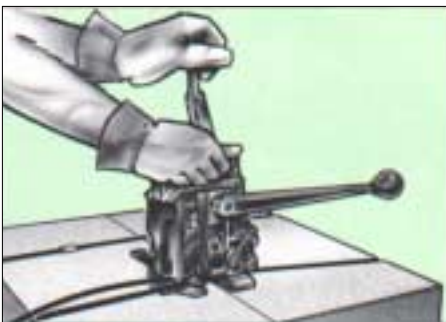
**D-58**  
For use with High-Strength Tenax™.

### Manual sealer specifications

| Model | Part Number | Sealer Type  | Strap Name                                    | Seals Used  | Weight |     |
|-------|-------------|--------------|---|-------------|--------|-----|
|       |             |              |   |             | lb     | kg  |
| D-504 | 023800      | Front Action | Contrax 816, Dymax 502, 504, Tenax 1816, 1818 | 50DY, 50DYS | 2-1/4  | 1.0 |
| D-506 | 023820      | Front Action | Contrax 818, Dymax 506, 508, Tenax 1822       | 50DY        | 2-1/4  | 1.0 |
| D-58  | 423800      | Front Action | High-Strength Tenax 2030, 2038B, 2040         | 58DY        | 4      | 1.8 |

### Manual seal-feed combination tools

Manual seal-feed combination tools offer the convenience of a single tool that tensions, seals and cuts the strap. These tools carry a stack of seals in a seal magazine for more efficient operation.



**AMT**  
For use with High-Strength Tenax.



**AST**  
Manual seal-feed combination tool.

### Manual seal-feed combination tool specifications

| Model | Part Number | Tool Type   | Strap Name                               | Strap Take-up | Base Length Under Strap |       | Seals Used | Weight |     |
|-------|-------------|-------------|--|---------------|-------------------------|-------|------------|--------|-----|
|       |             |             |  |               | inch                    | mm    |            | lb     | kg  |
| AST   | 422950      | Manual      | Contrax 816, 818, Tenax 1816, 1818, 1822 | Unlimited     | 5-1/2                   | 139.7 | 50 ASD     | 11.5   | 5.2 |
| AMT   | 306930      | Combination | High-Strength Tenax 2030, 2038B, 2040    | Unlimited     | 4-3/4                   | 121   | 58 AMT     | 14     | 6.4 |