

YOUR TOMORROW'S PACKAGING NEEDS
WITH TODAY'S TECHNOLOGY...

 **SIGNODE**[®]

SpiralGrip Semi-Automatic Stretch Wrapping Systems

SG319 SERIES



- Wraps up to 35 loads per hour
- Variable-speed turntable, up to 15 RPM
- Turntable supports loads weighing up to 2000kg
- Automatic force to load with dancing roller
- Sensor-Stretch powered prestretch carriage stretches film up to 250%

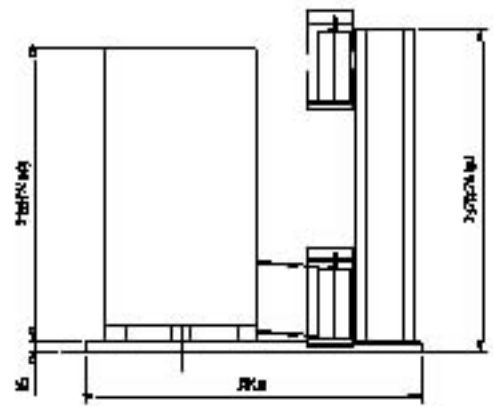
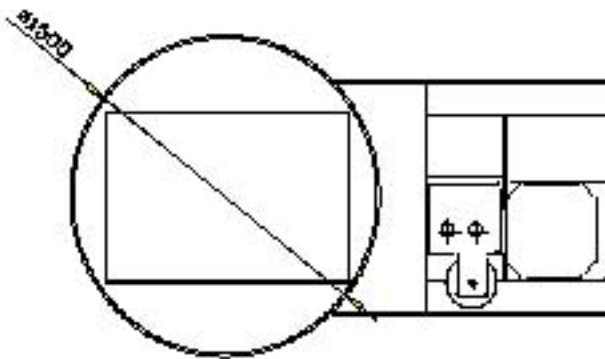
- Integrated PC board control panel
- Soft start and stop gradually accelerates and decelerates the turntable for gentle load handling
- Automatic load height sensing photo eye
- Automatic film cutting device

SIGNODE · 3650 W. LAKE AVENUE · GLENVIEW, ILLINOIS 60025

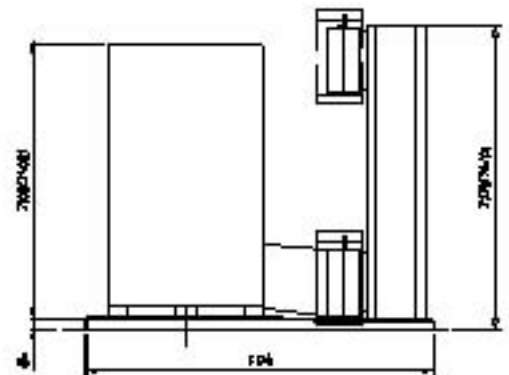
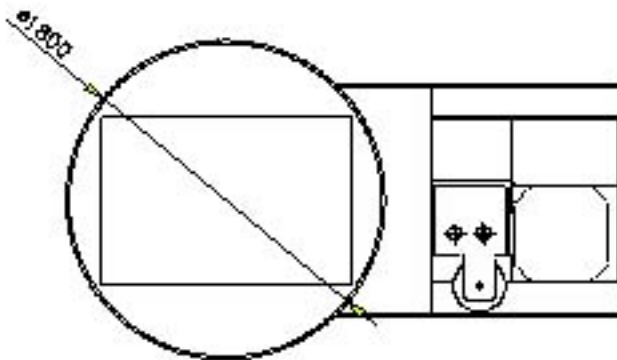
SG319 SERIES

SIGNODE

SpiralGrip Semi-Automatic Stretch Wrapping Systems



★ SG319 standard



★ SG319 extended

Specifications

PERFORMANCE		ELECTRICAL	
Turntable speed :	Adjustable 2-15 RPM	Power requirements:	220V/1PH/50Hz
Loads per hour :	Up to 35 *	Controller type:	Microprocessor
Turntable size :	1500 or 1800mm	Turntable motor:	1 HP
LOAD CAPABILITIES		Film elevator motor :	1/2 HP
Maximum load size :	800X1200mm/1200X1200mm	Power Prestretch motor :	1/4 HP
Minimum load size :	800X800mm	MECHANICAL	
Maximum load height :	2100mm or 2400mm	Construction:	Heavy gauge formed steel
Minimum load size :	610mm	Finish:	Full primer coat, baked enamel
Maximum load weight :	2000kg	Shipping weight with skid :	550kg
Minimum load weight :	70kg	Turntable support:	Ring bearing
FILM DELIVERY SYSTEM		Turntable drive:	Chain
Maximum roll width :	520mm	POPULAR OPTIONS	
Film elongation:	Fixed 250%	Automatic film cut device	
Core size:	76mm	Loading ramp	
Film thickness:	12-35µM	Custom paint color	

* Based on the load size